



WallScan is the latest TeamCard innovation in stadium access. WallScan answers the challenge to create a cost-effective access solution without the high capital cost of smart turnstile readers and the ongoing expense of smart cards year-on-year.

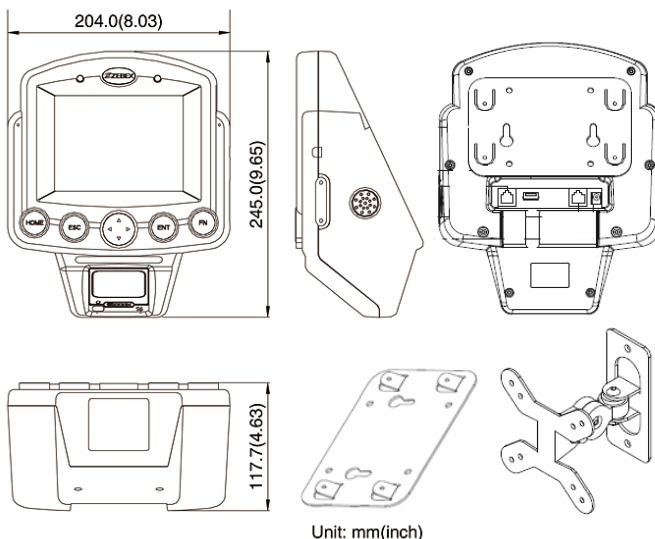
With WallScan, barcode cards are read at a turnstile in micro-seconds. New audible messaging announces authorisation or reason for refused entry (card invalid, wrong gate, concession ticket etc.). The unit also has communication ports to allow control over other equipment subject to specification.

WallScan represents the next generation of stadium access solutions that are not only economical, but preserve and exceed the functionality of other, over-engineered, entry devices.

WallScan is fast, reliable and contactless; it dramatically reduces the cost of deployment and ongoing ownership. Once again, TeamCard is setting the standards in the sports membership sector.

Features

- Online entitlement verification with TeamCard Access Control System
- Offline mode to verify barcode format and store attendance information
- Entitlement Override option with full audit and reporting
- Central Web based Event view displaying live performance information for each unit
- Central Web control over setup of each unit
- Option to send messages from central control point to any or all units
- Single unit for quick Hot swap in the unlikely event of failure



Minimum Requirements

110/220v AC power outlet or Power supplied over Ethernet cable (PoE)
10/100 Mbps Ethernet connection via RJ45 socket (*Wi-Fi option available)

Specifications

Unit: Intel PXA processor, Microsoft Windows CE, 64Mb RAM, 64Mb ROM
Screen: 5.7" TFT Touch Screen with LED backlight
Speaker: Stereo speaker & audio file (WAV) support
Barcode Scanner: Omni Directional 1D, 20 scan patterns, 1200 scans/sec
EMC Approved: CE & FCC (part 15b / 15c)

Options

Tilt and Swivel wall bracket (Flat-to-wall bracket supplied as standard)
Wi-Fi Module (IEEE 802.11b/g)

